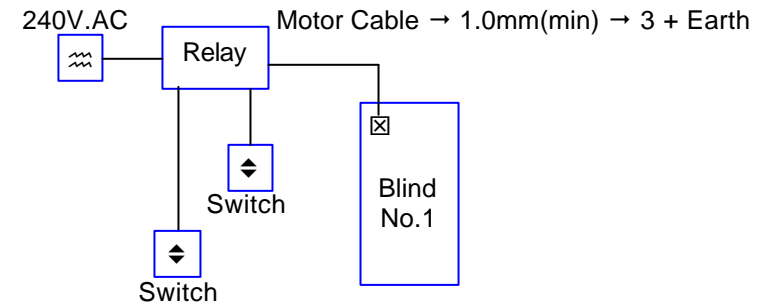
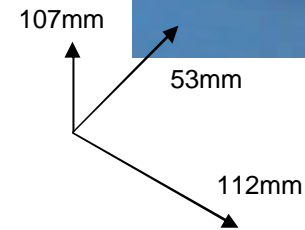
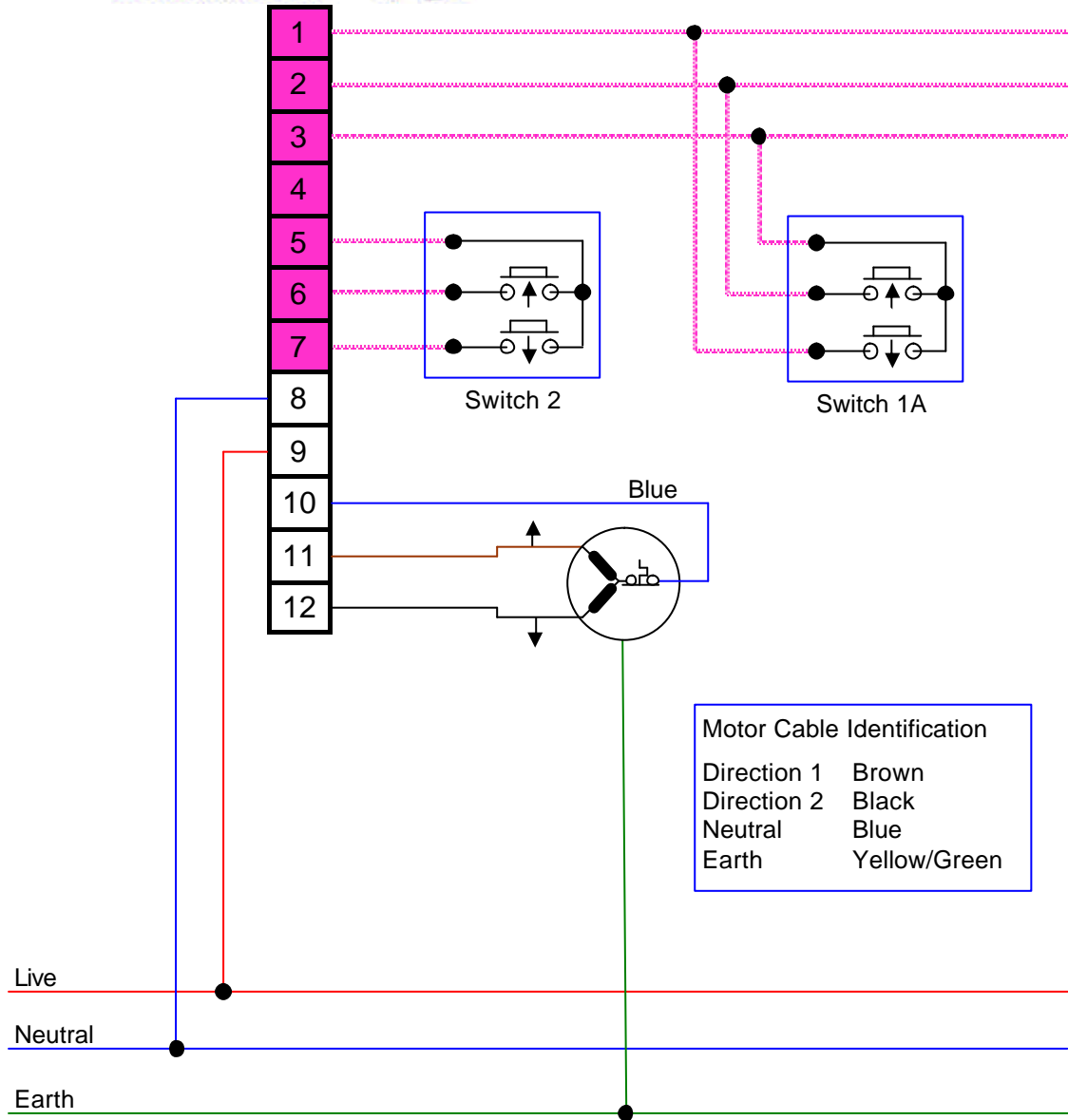


1 Motor - 2+ Switches (low volt connection)



Motors can be Left or Right Hand

 Low Voltage (10V.DC)