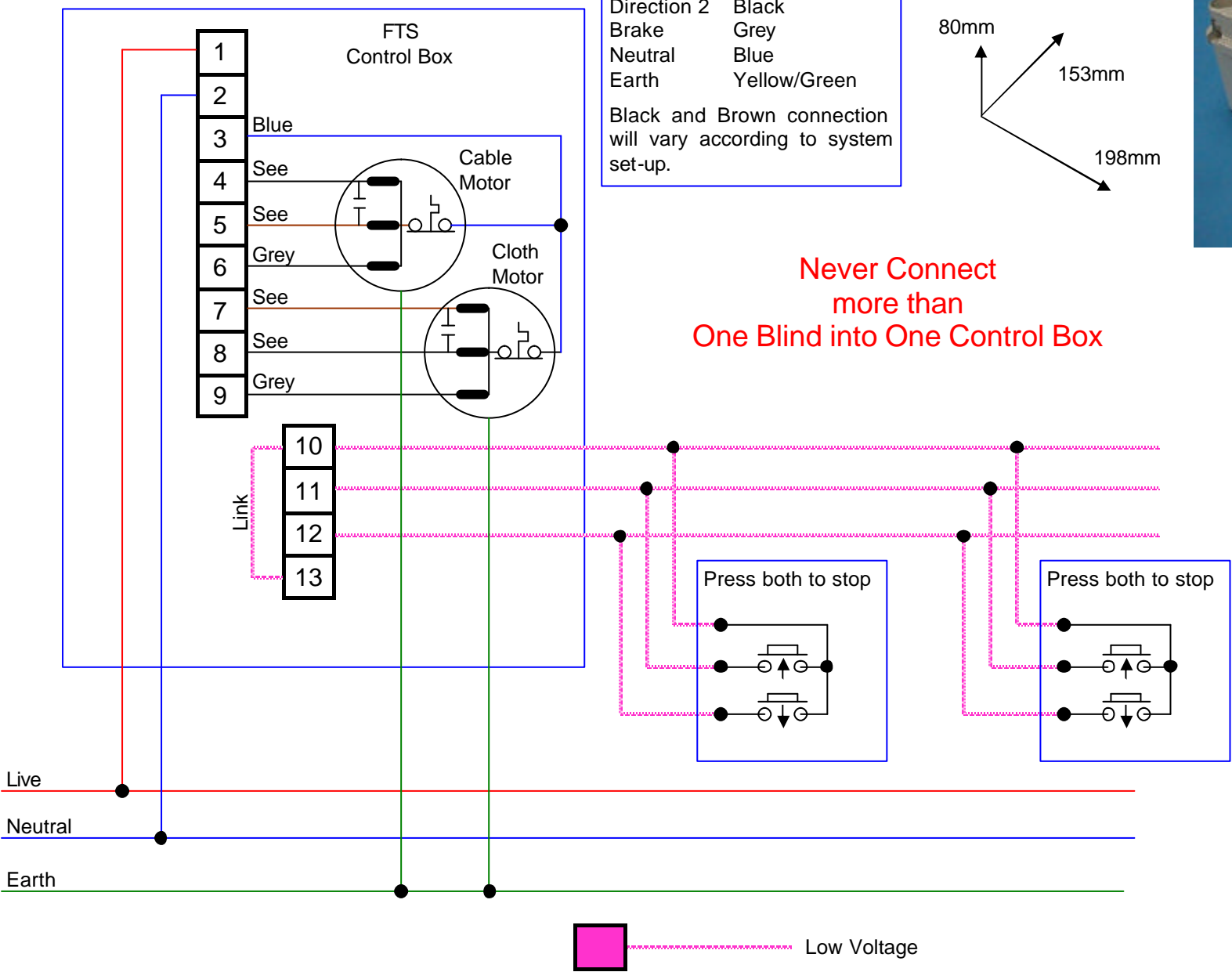
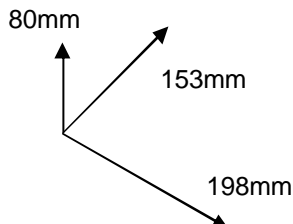


# 1 FTS by 2 or more wired in Switches - Issue 09/09

Motor Cable Identification

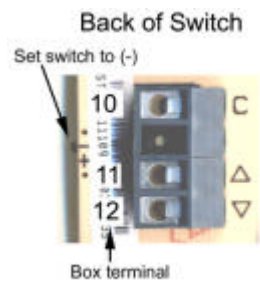
Direction 1	Brown
Direction 2	Black
Brake	Grey
Neutral	Blue
Earth	Yellow/Green

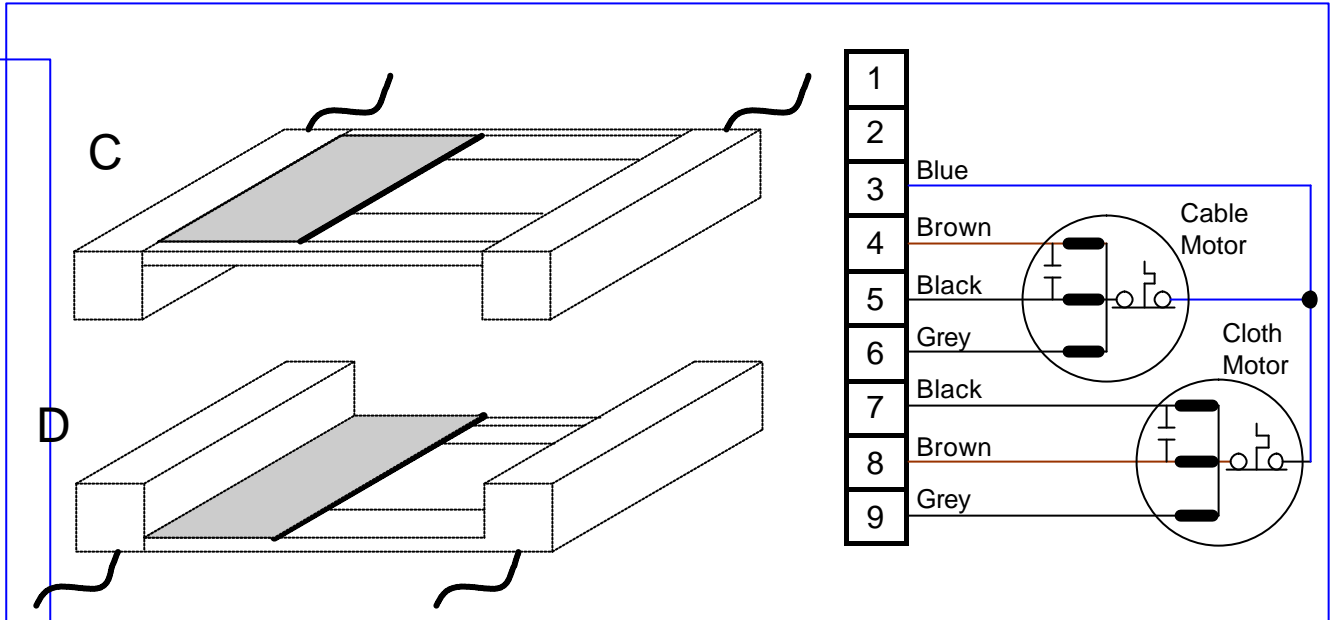
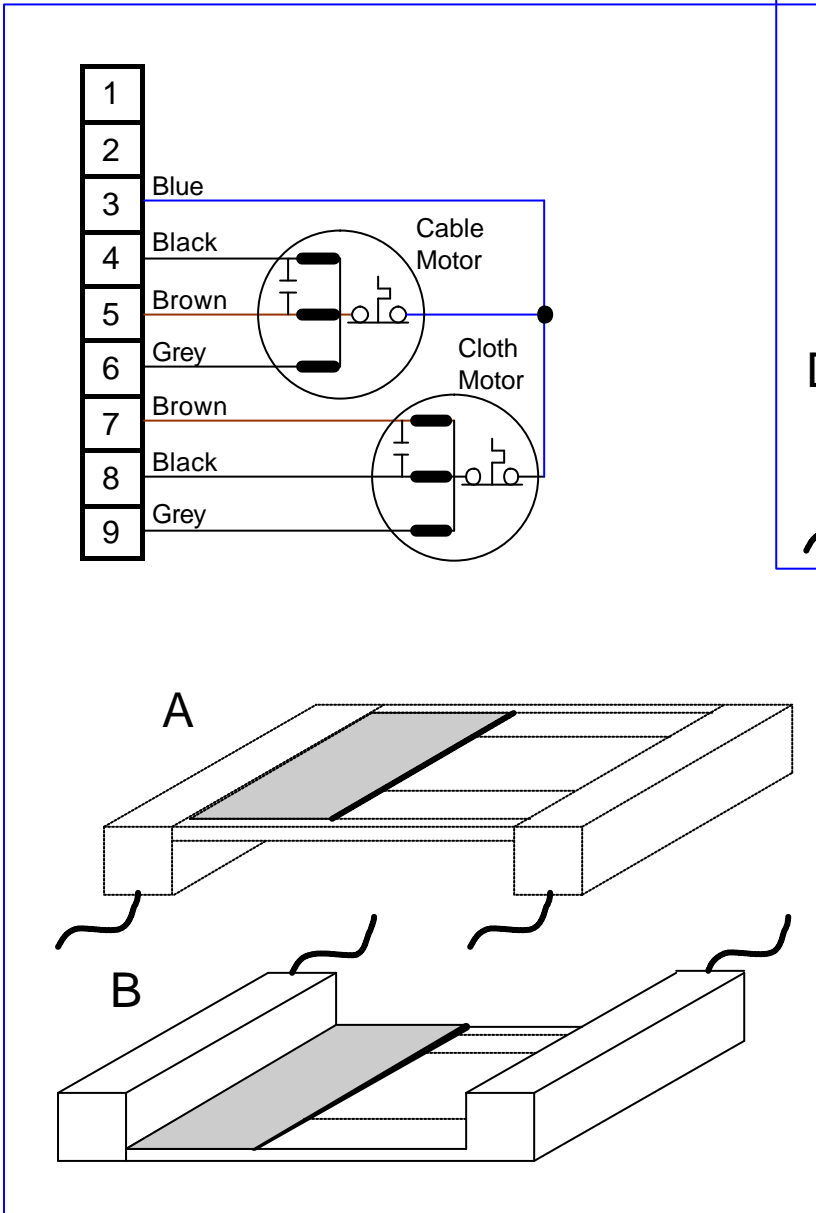
Black and Brown connection will vary according to system set-up.



**Never Connect more than One Blind into One Control Box**

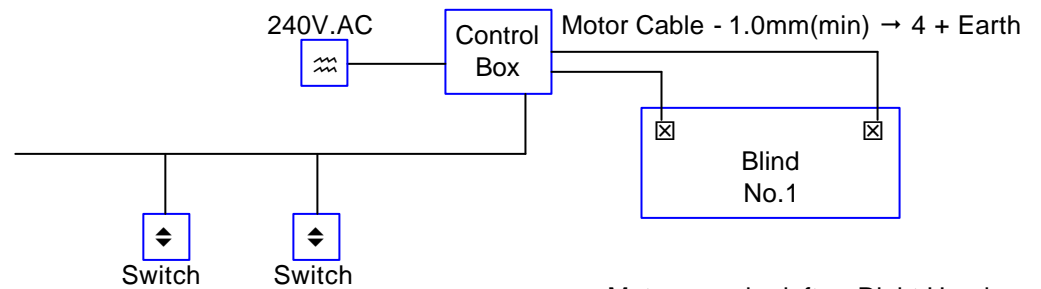
Only use switches provided





**Tip:**

- Always make sure the control box is accessible for setting up the blind and for future maintenance (fitting the control box so it is inaccessible when the blind is closed is not a good idea).
- When 2 or more blinds are operated from the same switch, ensure you can isolate one when working on the other.



Motors can be left or Right Hand

